

# LG 'IR Spread' based GHOST-FREE 42"/47" MULTI-TOUCH PREMIUM DISPLAY LT55A



## GHOST-FREE MULTI-TOUCH EXPERIENCE

LG proprietary touch technology can draw clean and accurate diagonal lines through controlling multi-touch gestures in great precision.



Competitor Ghosting

LG Ghost-free

## 10 POINTS MULTI-TOUCH EXPERIENCE

Can be used in various high-traffic locations such as subway and exhibition halls for interactive way-finding and informational purposes with our improved 10 points touch monitors.



2 - 6 Point Competitor

10 Point LG

## BUILT-IN MULTI-TOUCH

- No need to install external touch overlay
- Dust-free between touch frame and glass ensures high reliability
- Slimmer design is ideal for space at a premium



Competitor External Overlay

LG Built-in Touch

## DOCKING-TYPE PROFESSIONAL SIGNAGE PLAYER

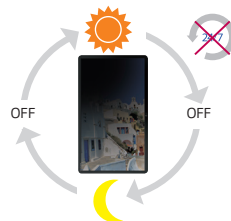
Compatible with MP500 player simplifies the cabling and reduces space limitations.



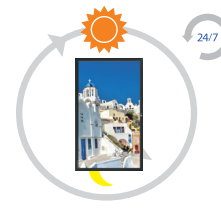
Hybrid Type Media Player

## GREATER DURABILITY

LG premium signage display is highly durable and designed for operation 24 hours a day, seven days per week for virtually continuous business use.



Normal Structure



PD Module Structure

MULTI-TOUCH DISPLAY

LT55A 42", 47"



FEATURES

IPS Panel

- Low screen temperature on standard mode
- No blackening defect
- Wide viewing angle

Optimized Interactive Display

- Built-in touch display using IR spread type
- 10 touch points
- Ghost-free (\*Ghosting : false touch point recognition during multi-touch)
- Anti-glare coating
- Greater durability of 24/7 operation
- Compatible with MP500 docking-type player

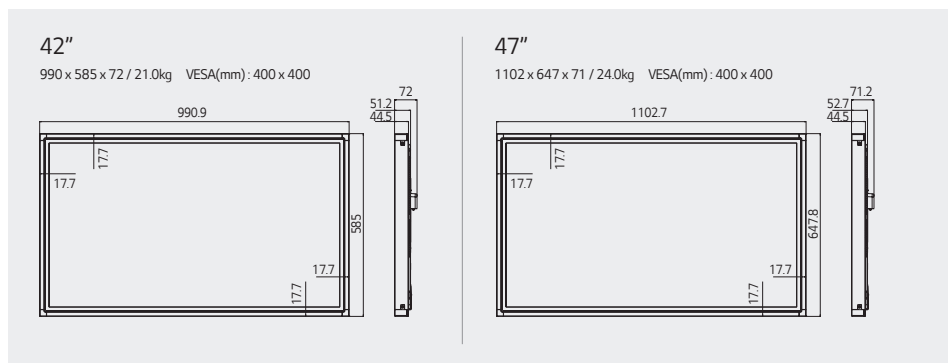
Energy Star® 6.0 compliant

SPECIFICATIONS

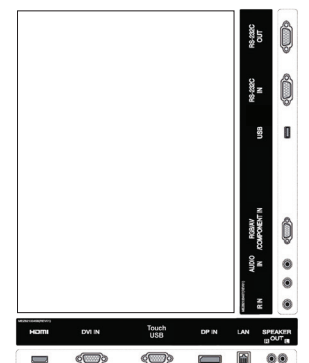
		LT55A							
PANEL	Screen Size	42" / 47"		PHYSICAL SPECIFICATION	Packed Weight	42" : 24.7kg, 47" : 27.7 kg (TBD)			
	Panel Technology	IPS			VESATM Standard Mount Interface	400mm x 400 mm			
	Aspect Ratio	16 : 9			Temperature Sensor	Yes			
	Native Resolution	1920 x 1080 (FHD)			Auto Brightness Sensor	No			
	Brightness	450 cd/m <sup>2</sup>			Brightness / Contrast / Backlight	Yes			
	Contrast Ratio	1,300 : 1			Position / Size	Yes			
	Dynamic CR	500,000:1			Auto Config / Phase	Yes			
	Viewing Angle (H x V)	178 x 178			Energy Saving	Yes (Minimum, Medium, Maxium)			
CONNECTIVITY	Response Time	12 ms (G to G)		SPECIAL FEATURES	Smart Energy Saving	Yes			
	Input (Rear)	Digital	HDMI(1), DVI-D(1), DP(1) with HDCP for all input		Operation Temperature	0 °C to 40 °C			
		Analog	Component(1), Composite(1), RGB(1)		Operation Humidity	10 % to 80 %			
		Audio	RGB/DVI-D/AV/Component(3.5Φ 1)		Power Supply	100~240V, 50/60Hz			
	External Control	External Control	RS232C(1), RJ45(1), IR(1)		Typ	TBD			
		USB	Yes(1)		Smart Energy Saving	TBD			
		HDTV Formats	Component : 720p, 1080i, 1080p HDMI : 720p, 1080i, 1080p		DPM	TBD			
	Output (Rear)	Digital	-		Power off	TBD			
		Analog	-		STANDARD (CERTIFICATION)	Safety	UL, cUL, CB scheme, TUV		
		Audio	External Speaker			EMC	FCC Class "A", VCCI, C-tick, CE, KCC		
External Control		-		ErP / Energy Star	Yes / Yes (Energy Star 6.0)				
PHYSICAL SPECIFICATION	Bezel Width	25mm ↓ (TBD)		MEDIA PLAYER COMPATIBILITY	Slot PC Compatible (Optional)	Yes			
	Monitor Dimension (W x H x D)	42" : 99.09cm x 58.5cm x 7.20cm (TBD, Head Only)	SOFTWARE COMPATIBILITY	SuperSign elite-w & lite	Yes				
		47" : 110.27cm x 64.78cm x 7.12cm (TBD, Head Only)		External Media Player Attachable	No				
	Weight (Head)	42" : 21.0kg, 47" : 24.0 kg (TBD)		ACCESSORY	Included	Remote Controller, Power Cable, RGB Cable, Manual, ESG, IR Receiver			
Carton Dimensions (W x H x D)	42" : 108.5cm x 74.0cm x 12.5cm (TBD) 47" : 118.7cm x 76.5cm, x 14.35cm (TBD)		Optional		AP-WX60 / AP-WX70 (Wall Mount), SP-2100(Speaker), ST-200T(Stand) MP500(Media Player)				

\* Image may differ slightly from actual product. Specifications are subject to change without prior notice.

DIMENSION (unit : mm)



INTERFACE



LT55A 42", 47"